

A

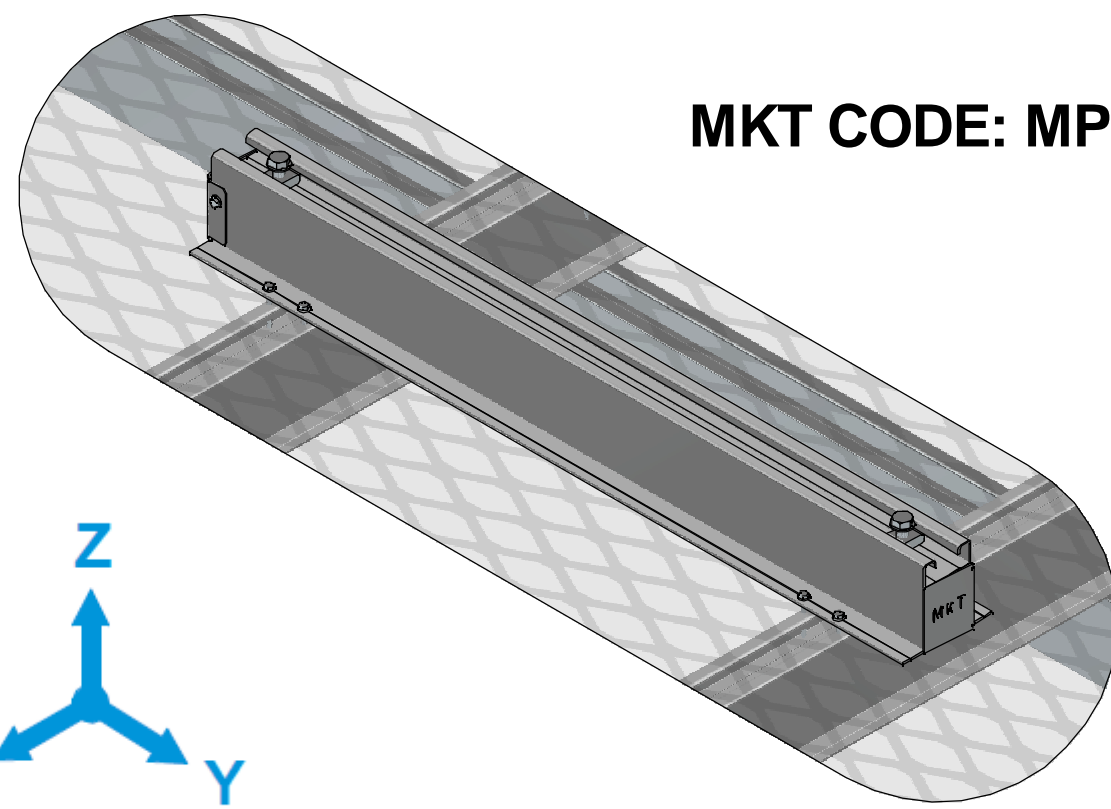
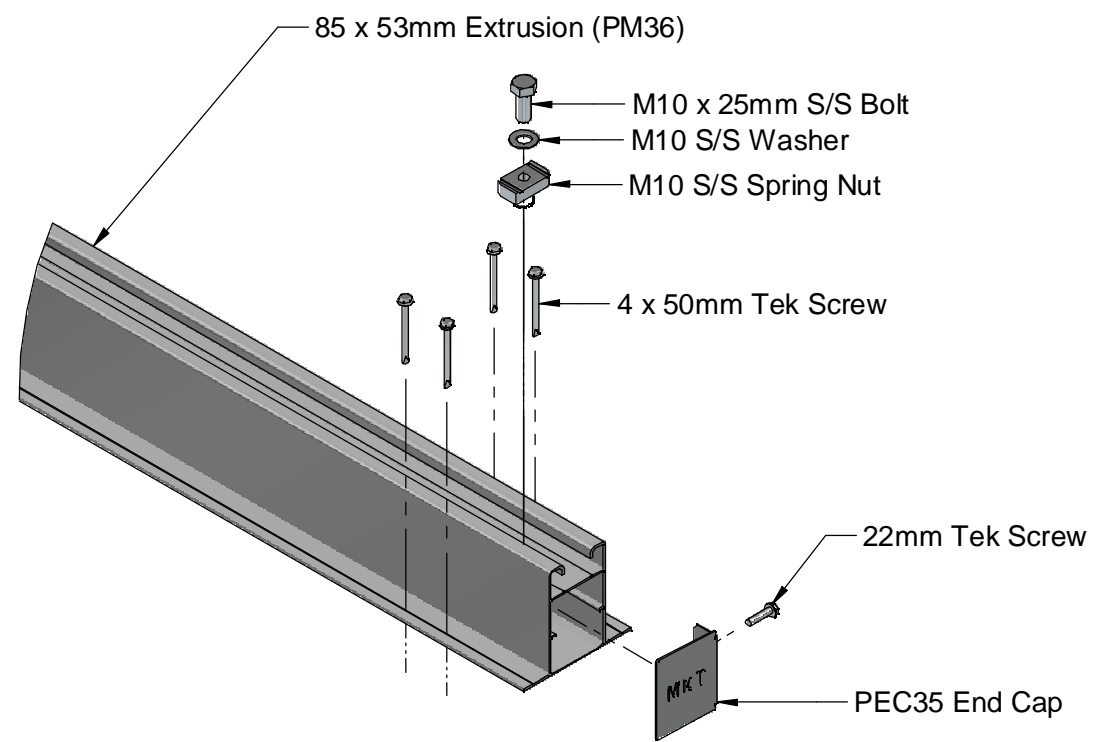
B

C

D

E

F



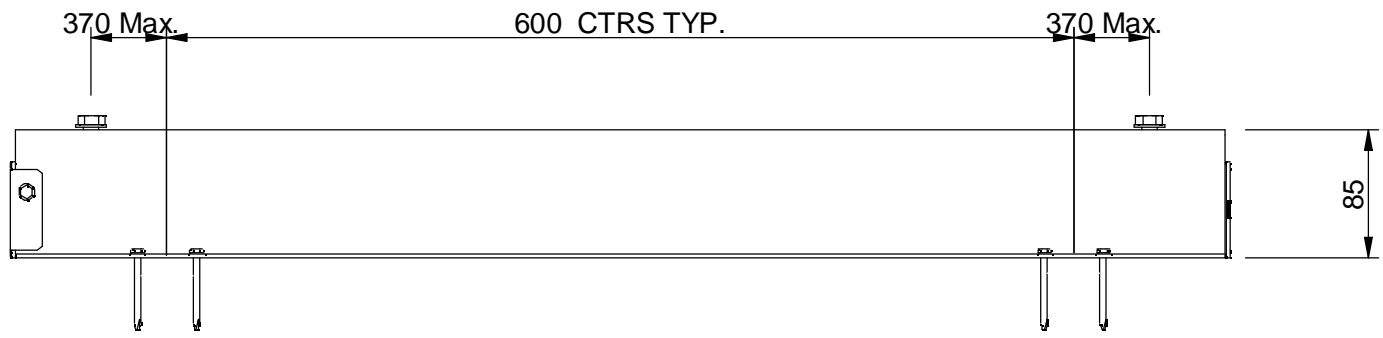
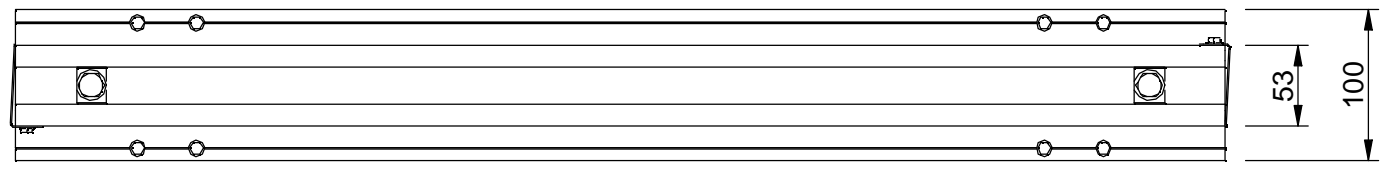
MKT CODE: MP008.XX

**MAXIMUM IMPOSED LOADS
(PER M10 UNIT FIXING)**

**X: 3.0 kN
Y: 3.0 kN
Z: 4.0 kN**

NOTES:

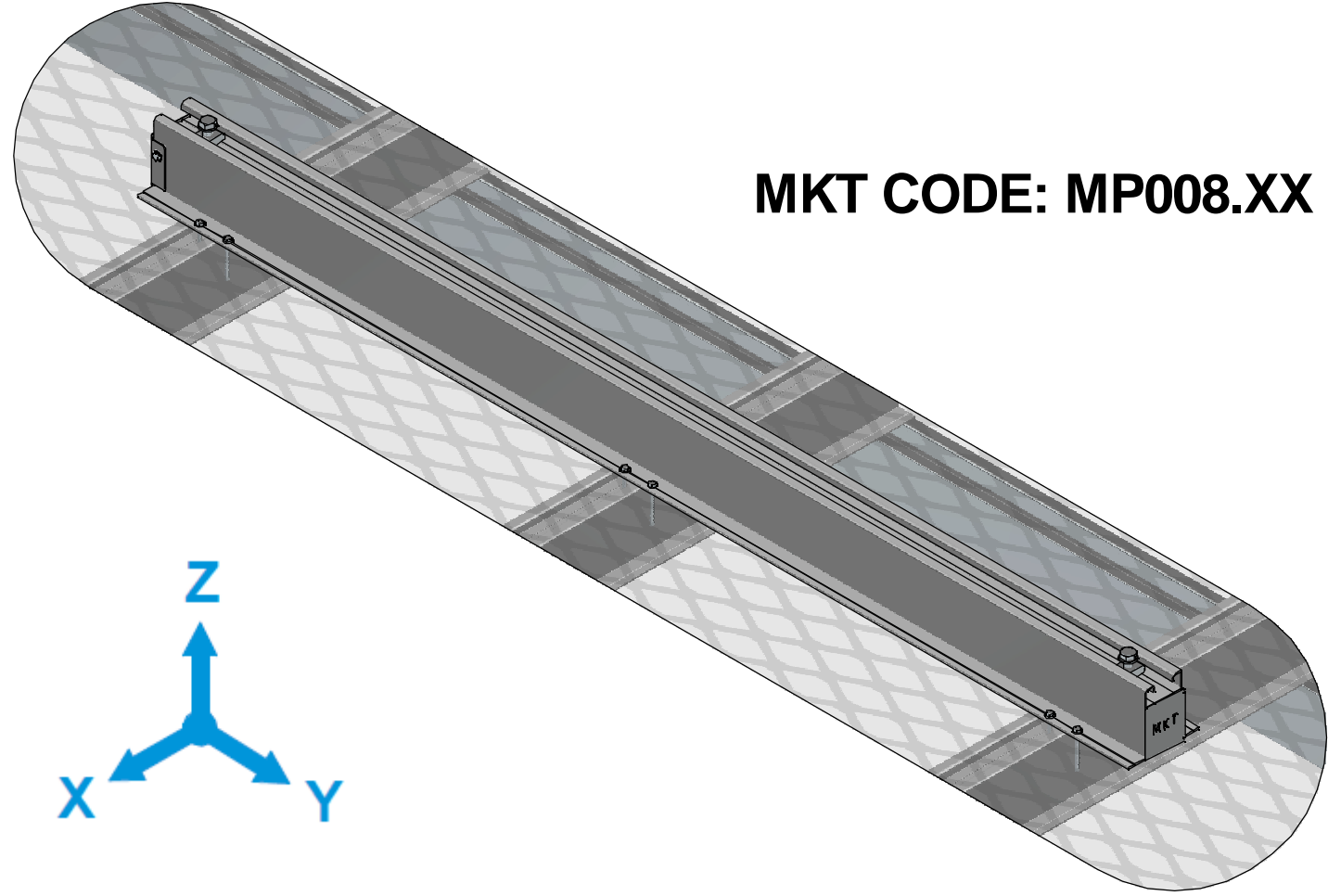
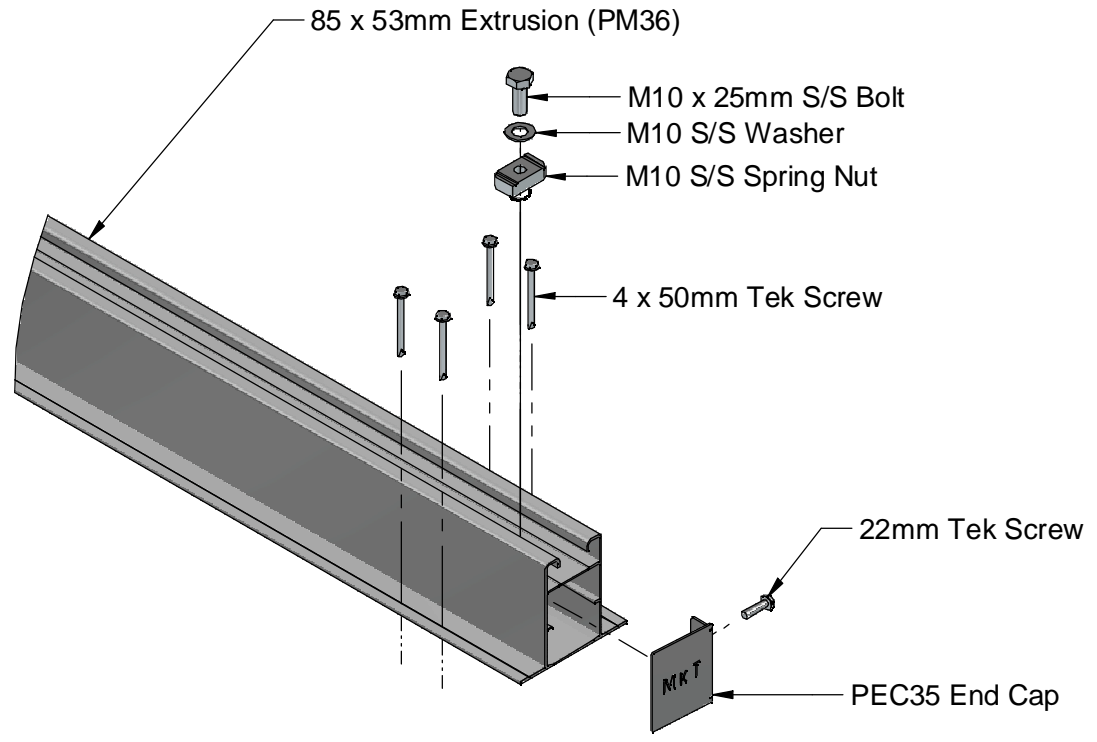
1. 2x Mounting rails min. required per unit.
2. MAX. loads given are after seismic/wind allowances and per M10 fixing.
3. MIN 1x base fixing pair per unit fixing and MIN 2x base fixing pairs per rail.
4. All base fixings must be to platform deck bearer rails (PM36).



DRAWN BY:	MA
MODELED BY:	MA
CHECKED BY:	BP/BD/LK
DATE DRAWN:	13/08/2019
LAST SAVED:	13/08/2019
MATERIAL:	Aluminium
FINISH:	Mill
TOLERANCES:	+0,-2.0;0.1°



Unit Support Rail for Optimized Platform		
MONKEYTOE GROUP		
DWG No: 2004-ACSR		2004
	SHEET 1 OF 2	A3
	SCALE: 1:10	REV:03
DO NOT SCALE	DIMENSIONS IN MILLIMETERS	



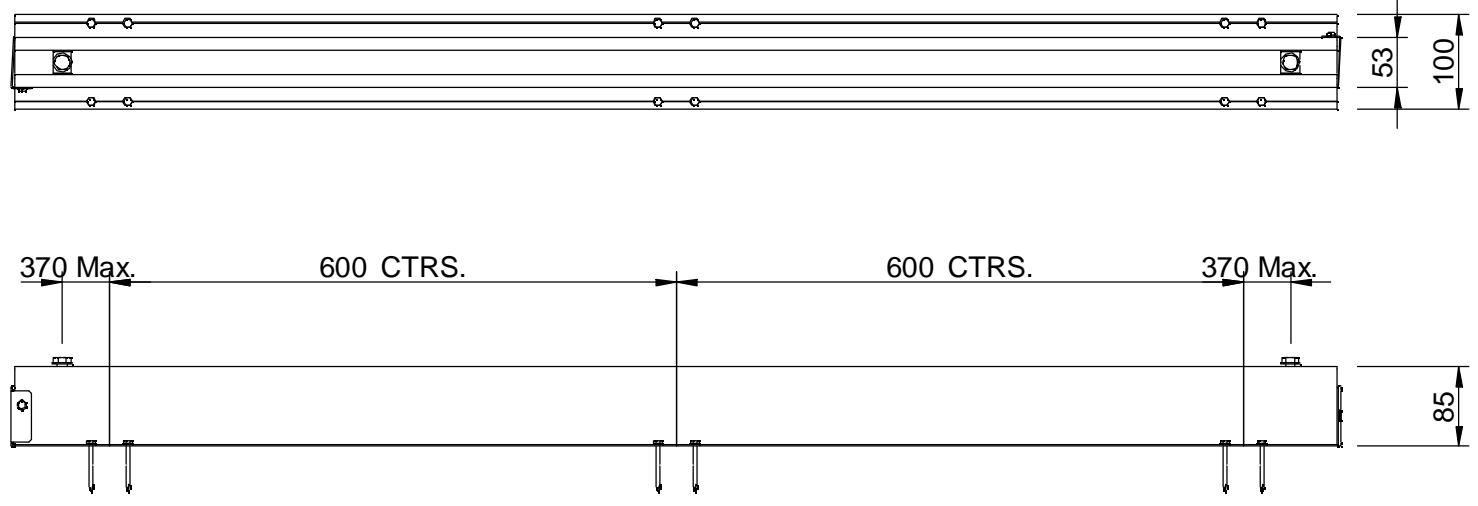
MKT CODE: MP008.XX

**MAXIMUM IMPOSED LOADS
(PER M10 UNIT FIXING)**

**X: 3.0 kN
Y: 3.0 kN
Z: 6.0 kN**

NOTES:

1. 2x Mounting rails min. required per unit.
2. MAX. loads given are after seismic/wind allowances and per M10 fixing.
3. MIN 1x base fixing pair per unit fixing and MIN 2x base fixing pairs per rail.
4. All base fixings must be to platform deck bearer rails (PM36).



DRAWN BY:	MA
MODELED BY:	MA
CHECKED BY:	BP/BD/LK
DATE DRAWN:	13/08/2019
LAST SAVED:	13/08/2019
MATERIAL:	Aluminium
FINISH:	Mill
TOLERANCES:	+0,-2.0;0.1°



Unit Support Rail for Optimized Platform		
MONKEYTOE GROUP		
DWG No: 2004-ACSR		2004
	SHEET 2 OF 2	A3
	SCALE: 1:8	REV:03
DO NOT SCALE	DIMENSIONS IN MILLIMETERS	